

DH-PFA121

Junction Box



Features

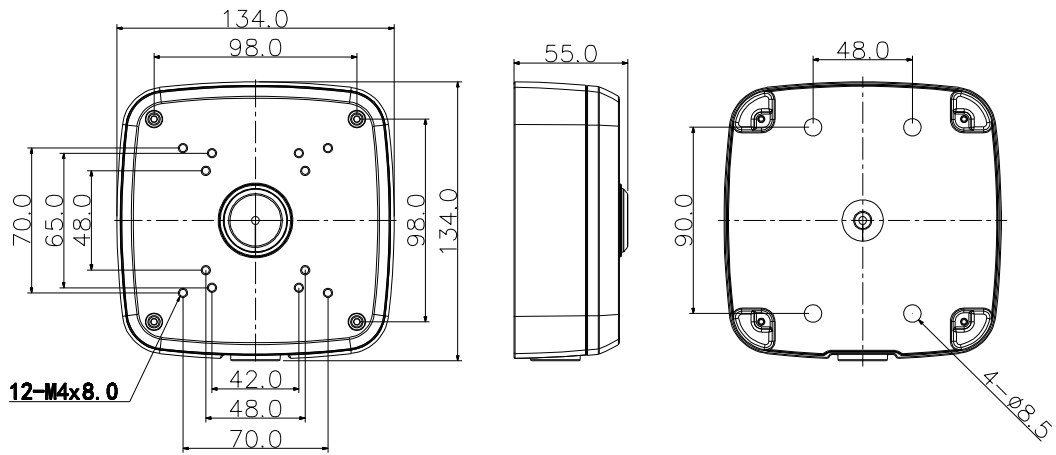
- Material: Aluminum
- Junction Box
- Neat & Integrated design

Specifications

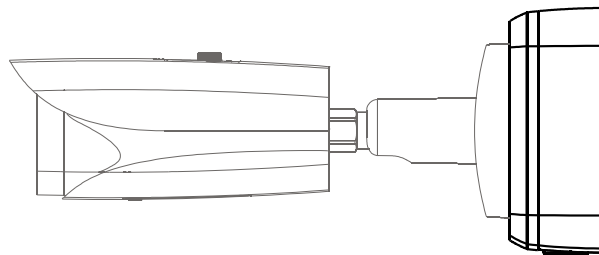
Model	DH-PFA121
General	
Material	Aluminum
Dimension (W x D x H)	134mm x 134mm x 55mm
Pipe Thread	N/A
Operating Temperature	-40°C ~60°C
Humidity	0~90% RH
Load Bearing	3Kg
Weight	0.5Kg
Applicable Model	CA-FW[I], HAC-HFW[E], HAC-HDW[M], IPC-HFW[E], PFB120W, PFB121W

DH-PFA121

Dimensions (mm)



Application



*Design and specifications are subject to change without notice.

© 2014 Dahua Technology Co., Ltd.